

## MultiFit LED Street / Carpark Light – 60W

Model: RLSL60W-2C

LED Street / Carpark lights are suitable for car parks, street lighting, lane ways, parks or anywhere external lighting is required. Our MultiFit Street Light is designed to fit either pole top mounting or spigot mounting all in the one product.



**2 Colour Adjustable**

### Product Features

- Only consumes 60w of power
- PE Cell Compatible
- Supports pole top ( $90^{\circ} \pm 5^{\circ}$ ) or spigot mounting ( $0^{\circ} \pm 5^{\circ}$ )
- IK08 impact rating
- 10KV Surge Protector



### Options:



PE Cell  
(Model: SLM-PE)



Mounting Poles



$\varnothing 32-40$ mm Spigot Replacement  
(Model: SLM-SPIGOT-40)



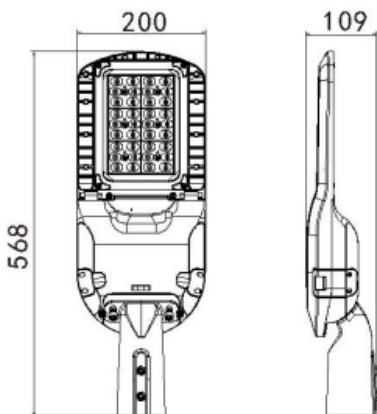
Outreach or Spigot Adaptors



Spigot mounting



Pole top mounting



### SPECIFICATION

Colour Temp (2CCT)	4000K or 5000K
Lumen (lm)	6662lm or 6725lm
Efficiency (Lm/w)	>115Lm/w or >116lm/w
Light Source	LED
Beam Angle	$150^{\circ} / 80^{\circ}$
Power Requirement	AC 90~305VAC
Power Consumption	60W
Housing	Aluminium with tempered glass Glass
Lifespan	> 40,000 hours
Operation Temperature	$-30^{\circ}\text{C} \sim +40^{\circ}\text{C}$
Dimension (mm)	Spigot Mount: 568 (L) x 200 (W) x 109 (H)
Fits Spigot Size	$\varnothing 50 \sim \varnothing 60$ mm
Protection Rating	IP65
Weight	4.8kg
Warranty	5 years